

ACROKOOOL

Touch Free Dispense Bottle Filling Station

Chilled Or Unchilled

Acrokool's touch-free water bottle filling stations are becoming increasingly popular in the UK for promoting sustainability and hygiene in public spaces. These stations provide a convenient and eco-friendly way for people to refill their water bottles, reducing the need for single-use plastics and minimizing the spread of germs by eliminating the need to touch shared surfaces. Many are installed in schools, workplaces, and public parks, reflecting the UK's commitment to environmental stewardship and public health.



Environmentally
Friendly



10 second refill
time (500ml)

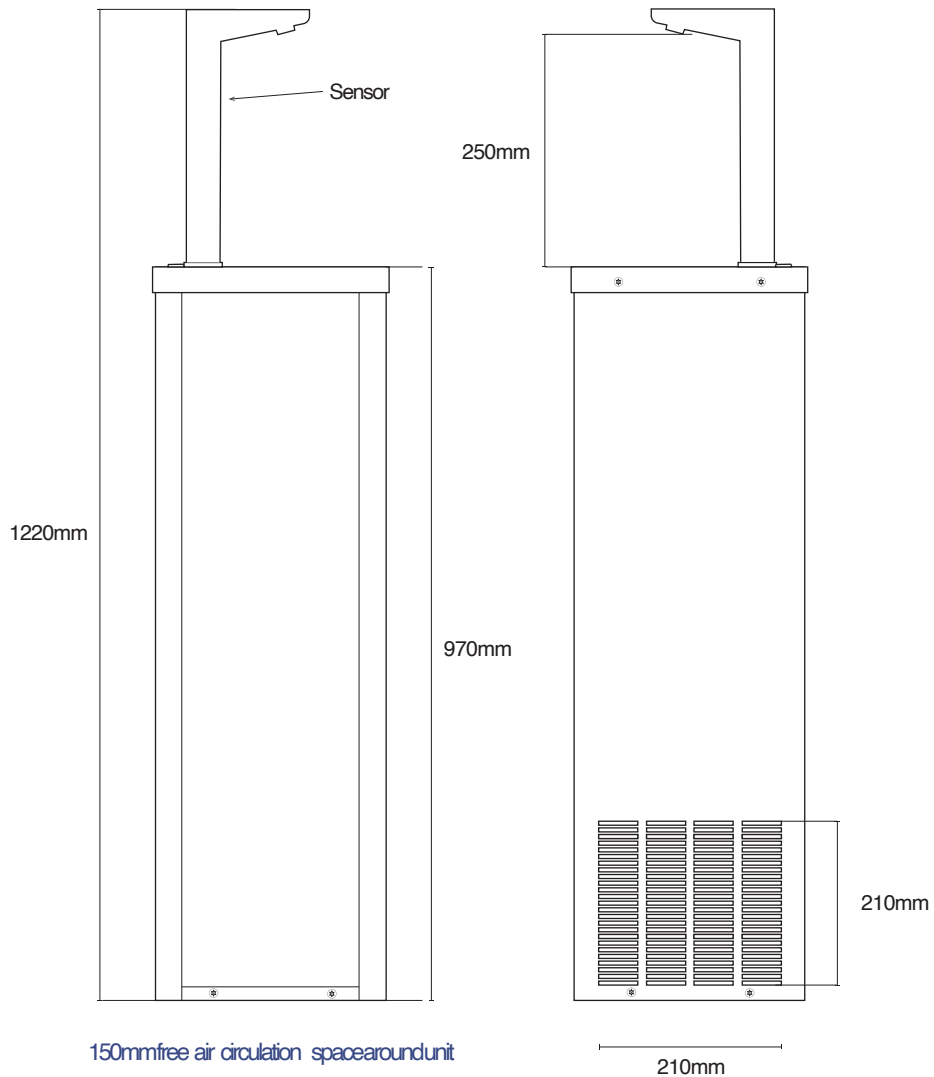
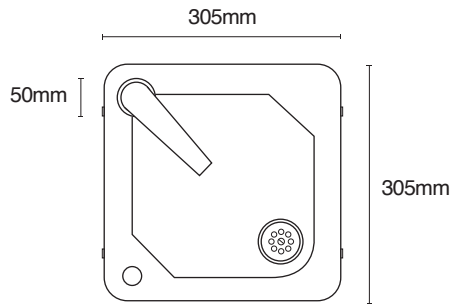


Durable materials,
tamper proof



Designed & Manufactured in the UK





Filtration	8" Carbon Block 10 Micron
H x D x W (mm)	1220 x 305 x 305 (mm)
Cabinet	Black Plastisol Coated Galvanised Steel / Brushed Stainless Steel
Wall Security Brackets	Long 750mm / Short 421mm
Waste Option(s)	1 1/4 'P' Trap
Weight (kg)	29 (kg)
Chilled Water Production	Up to 50 Litres per hour
Cooling System	Direct Chill Coil On Coil
Rated Input	180 Watts
Water Temperature	8 - 10°C
Water Options	Cold
Dispensing Height	1220mm
Electrical	230v / 50Hz 13Amp Plug
Water Inlet	1/4" Bulkhead

JUNIOR
units also
available
660mm high

HOT & CO2
Coming
Soon



Designed & Manufactured in the UK



GYMS



Chills only the water you use.



Anti-microbial chill pipes for clean drinking.



Easily maintained



Easy to install.



HOSPITALS



12 months parts warranty

Useful Feature:

Controlled water flow to minimise wastage and splashing.



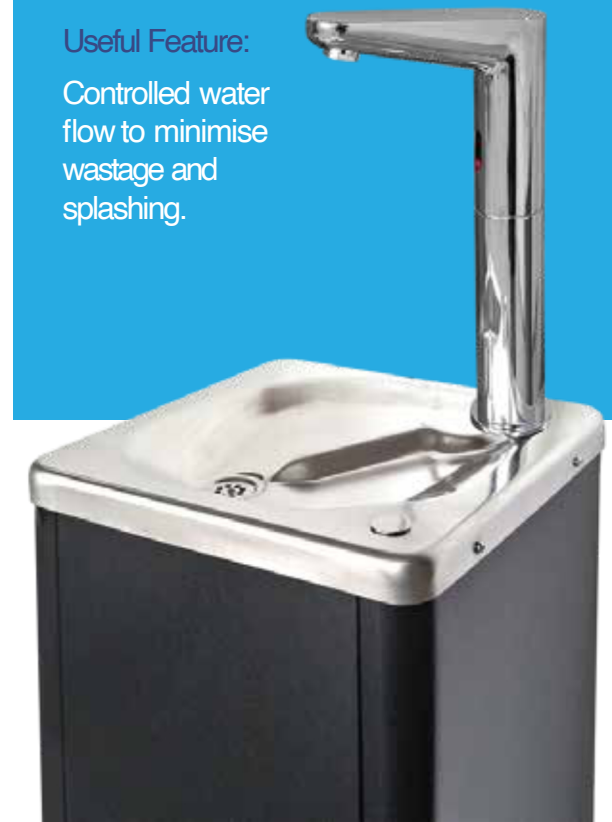
OFFICES



Black Plastisol Galvanised Steel



Brushed Stainless Steel





ACROKOOOL

bottlefilling.co.uk | 01799513631 | hello@bottlefilling.co.uk
Acrokool Ltd, ChromaHouse, Shire Hill, Saffron Walden, CB113AQ